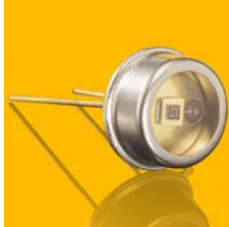


# SG03R20-5

Broadband SiC based UV photodiode A = 2.0 mm<sup>2</sup> with VUV responsivity

## GENERAL FEATURES

▶ 1/4



### Properties of the SG03R20-5 UV photodiode

- Broadband UVA+UVB+UVC, enhanced VUV responsivity
- Usable for 185nm (Hg low pressure lamp) or 172nm (excimer) detection
- Active Area A = 2.0 mm<sup>2</sup> (circular active area)
- TO5 hermetically sealed metal housing with sapphire glass window
- 10 μW/cm<sup>2</sup> peak radiation results a current of approx. 32 nA

### About the sglux Silicon Carbide (SiC) SG03 series

The difference between the sglux standard SG01 series and the SG03 series is the production method of the pn junction. The standard SG01 series works with vapor phase epitaxy generated pn junction. The SG03 series uses an ion implantation process. This process allows to position the depletion zone closer to the chip surface which leads to an improved spectral responsivity for wavelengths lower than 200nm. Accordingly, the SG03-series SiC photodiodes can be applied for measurement of 185nm UV radiation used for grease and odor reduction in canteen kitchens, TOC (total organic carbon) reduction (water treatment). Also UV irradiance generated by 172nm excimer sources as used for UV curing and matting of coatings can be detected. The photodiodes are available with five different active chip areas from 0.1 mm<sup>2</sup> up to 8 mm<sup>2</sup>. By default, the photodiode is sensitive from VUV to UVA. Photodiodes with customized optical filters (e.g. 185nm Hg low pressure lamp measurement while being blind for 254nm) are available on request. Please contact us for details.

## NOMENCLATURE

SG03		
Chip area	Spectral response	Housing
<b>R01, R05, R10 R20, R80</b>	<b>nothing, customized</b>	<b>5, 5ISO90, 18</b>
<b>R01</b> 0.1 mm <sup>2</sup>	<b>nothing = broadband</b> $\lambda_{\max} = 280 \text{ nm}$ $\lambda_{510\%} = 170 \text{ nm} \dots 355 \text{ nm}$	<b>5</b> 2-pin TO5 housing, h = 4.3 mm for broadband responsivity; h = 6.7 mm for photodiodes with optical filter
<b>R05</b> 0.5 mm <sup>2</sup>	<b>customized</b> $\lambda_{\max} = \text{customized}$ $\lambda_{510\%} = \text{customized}$	<b>5ISO90</b> 3-pin TO5 housing, h = 4.2 mm, 2 pins isolated, 1 pin grounded
<b>R10</b> 1.0 mm <sup>2</sup>	We are happy to tailor the spectral response according to individual customer requirements. Please contact us.	<b>18</b> 2-pin TO18 housing, h = 5.2 mm, 1 pin isolated, 1 pin grounded
<b>R20</b> 2.0 mm <sup>2</sup>		
<b>R80</b> 8.0 mm <sup>2</sup>		

# SG03R20-5

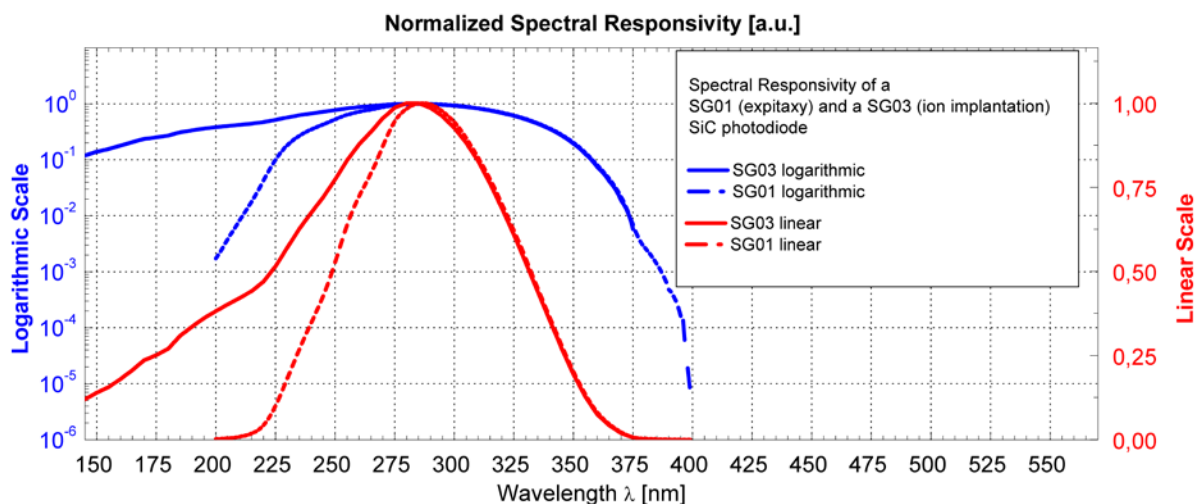
Broadband SiC based UV photodiode A = 2.0 mm<sup>2</sup> with VUV responsivity

## SPECIFICATIONS

Parameter	Symbol	Value	Unit
<b>Spectral Characteristics</b>			
Typical Responsivity at Peak Wavelength	$S_{max}$	0.160	AW <sup>-1</sup>
Wavelength of max. Spectral Responsivity	$\lambda_{max}$	280	nm
Responsivity Range ( $S=0.1 \cdot S_{max}$ )	–	170 ... 355	nm
Visible Blindness ( $S_{max}/S_{>405nm}$ )	VB	$> 10^5$	–
<b>General Characteristics (T=25°C)</b>			
Active Area	A	2.0	mm <sup>2</sup>
Dark Current (1V reverse bias)	$I_d$	0.2	fA
Capacitance	C	300	pF
Short Circuit (10 $\mu$ W/cm <sup>2</sup> at peak)	$I_o$	32	nA
Temperature Coefficient	$T_c$	$< 0.1$	%/K
<b>Maximum Ratings</b>			
Operating Temperature	$T_{opt}$	-55 ... +170	°C
Storage Temperature	$T_{stor}$	-55 ... +170	°C
Soldering Temperature (3s)	$T_{sold}$	260	°C
Reverse Voltage	$V_{Rmax}$	20	V

## NORMALIZED SPECTRAL RESPONSIVITY

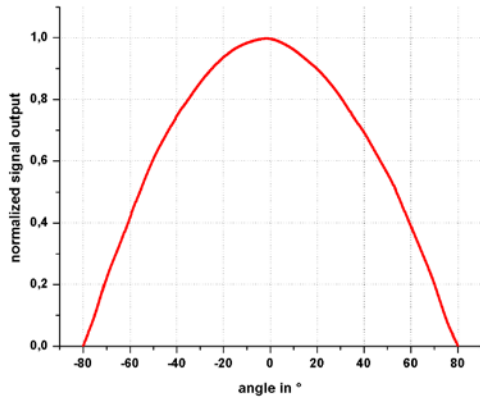
The below graph compares the SR of the standard SG01 series with the SR of the SG03 series



# SG03R20-5

Broadband SiC based UV photodiode A = 2.0 mm<sup>2</sup> with VUV responsivity

## FIELD OF VIEW



Measurement Setup:

lamp aperture diameter: 10 mm  
 distance lamp aperture to second aperture: 17 mm  
 second aperture diameter: 10 mm  
 distance second aperture to detector: 93 mm

pivot level = top surface of the photodiode window

## TYPICAL CIRCUIT



Calculations and Limits:

$$U_a = I_p \times R_f = 0 \dots \sim V_{cc}$$

$U_{a,max}$  depends on load and amplifier type

$R_f = 10k\Omega \dots \sim 10G\Omega$ ,  $C_f \geq 3pF$   
 Recommendation:  $R_f \times C_f \geq 10^{-3}s$

$$I_{p,max} = U_{a,max} \div R_f$$

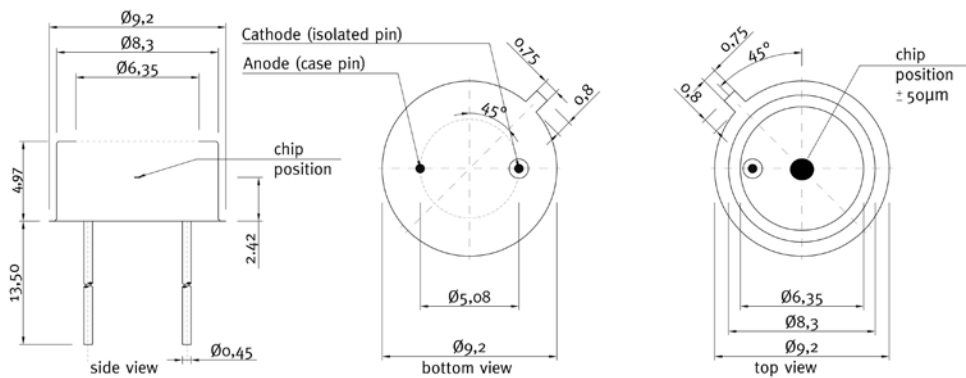
$$\text{Bandwidth} = DC \dots \frac{1}{2\pi \times R_f \times C_f}$$

Example:

$$I_p = 20nA, R_f = 100M\Omega, C_f = 100pF$$

$$U_a = 20 \times 10^{-9}A \times 100 \times 10^6\Omega = 2V$$

## DRAWINGS



# SG03R20-5

Broadband SiC based UV photodiode A = 2.0 mm<sup>2</sup> with VUV responsivity

## ▶ APPLICATION NOTE FOR PHOTODIODES

For correct reading of the photodiode the current (and NOT the voltage) must be analyzed. This requires a short circuiting of the photodiode. Usual approaches are using a **Picoamperemeter** or a **transimpedance signal transducer** circuit as shown on page 3.

## ▶ UPGRADE TO A TOCON OR A PROBE



### **TOCONs = UV sensors with integrated signal transducer**

- SiC based UV hybrid detector with signal transducer (0–5V output), no additional amplifier needed, direct connection to controller, voltmeter, etc.
- Measures irradiance from 1.8 pW/cm<sup>2</sup> up to 18 W/cm<sup>2</sup>
- UV broadband, UVA, UVB, UVC or Erythema measurements



### **Miniature housing with M12x1 thread for the TOCON series**

- Optional feature for all TOCON detectors
- Robust stainless steel M12x1 thread body, supply voltage 7...24 V
- Integrated sensor connector (Binder 4-Pin plug) with 2m connector cable
- Easy to mount and connect, increased EMC safety



### **UV probes**

- Different housings e.g. with cosine response or water pressure proof
- Different electronic outputs configurable (voltage, current, USB, CAN, MODbus)
- Good EMC safety for industrial applications

## ▶ CALIBRATION SERVICE



- PTB traceable calibrations and measurements:
- Calibration of sensors for irradiance measurements
- Calibration of UV sensors on discrete wavelengths
- Determination of a specific spectral sensor responsivity